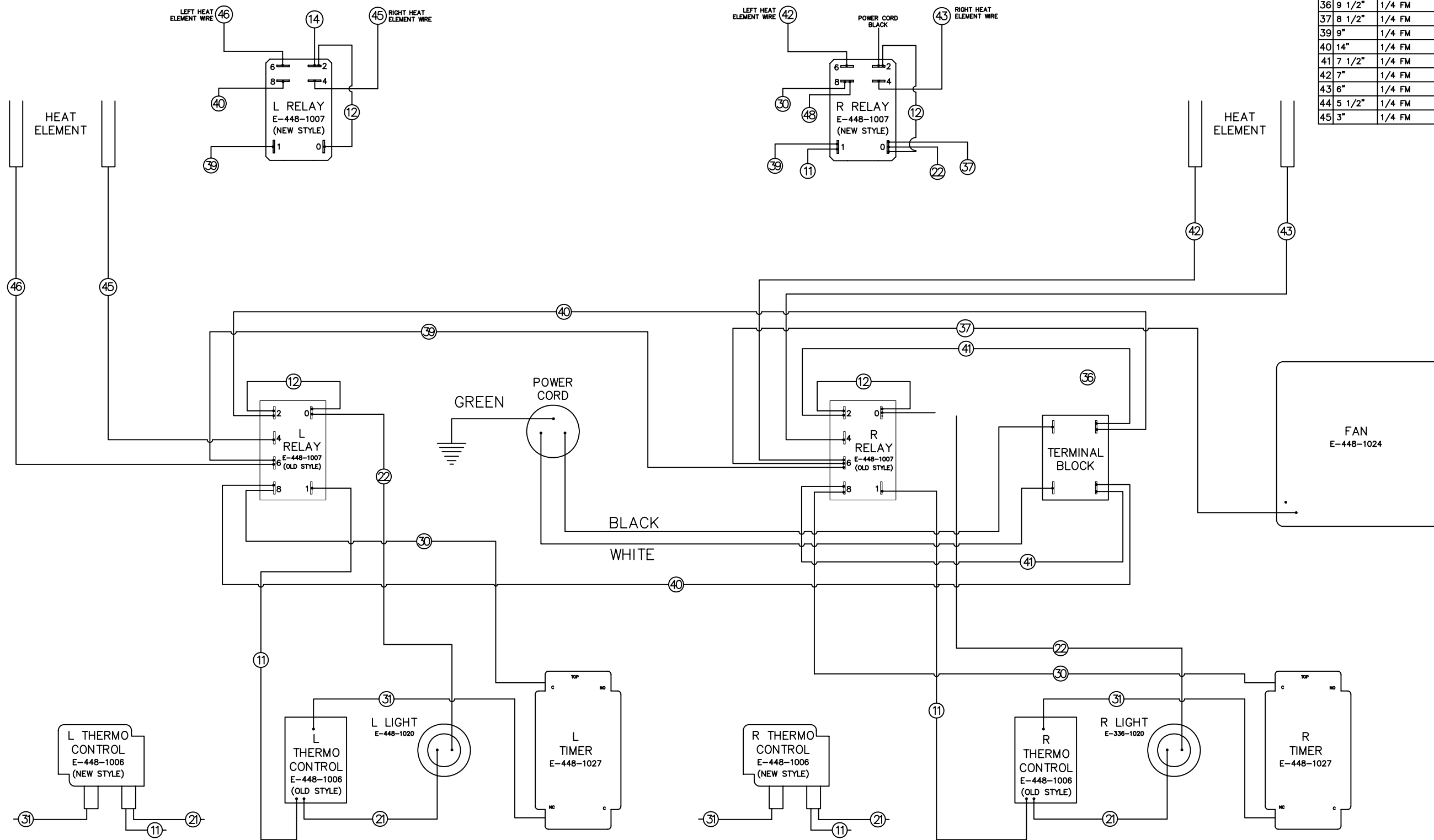


# 448 32" DUAL WIRING DIAGRAM



#	LENGTH	END A	END B	WIRE SIZE	LOCATION
11	11 1/2"	1/4 FL	1/4 FM	16 AWG	R RELAY TO R THERMO (2 REQ'D)
12	2 5/8"	1/4 FM	1/4 FM	16 AWG	R & L RELAY JUMPER (2 REQ'D)
21	3"	1/4 FM	3/16 FM	16 AWG	L&R THERMO TO LIGHT (2 REQ'D)
22	10"	1/4 FM	3/16 FM	16 AWG	L&R RELAY TO LIGHT (2 REQ'D)
30	8 1/2"	1/4 FL	STRIP	16 AWG	L&R TIMER TO RELAY (2 REQ'D)
31	10 1/4"	1/4 FL	STRIP	16 AWG	L&R THERMO TO TIMER (2 REQ'D)
36	9 1/2"	1/4 FM	1/8 FM	16 AWG	R RELAY TO FAN
37	8 1/2"	1/4 FM	1/8 FM	16 AWG	R RELAY TO FAN
39	9"	1/4 FM	1/4 FM	16 AWG	L RELAY TO R RELAY
40	14"	1/4 FM	RING	16 AWG	L RELAY TO T-BLOCK (2 REQ'D)
41	7 1/2"	1/4 FM	RING	16 AWG	R RELAY TO T-BLOCK (2 REQ'D)
42	7"	1/4 FM	RING	16 AWG	R RELAY TO R HEAT ELEMENT
43	6"	1/4 FM	RING	16 AWG	R RELAY TO R HEAT ELEMENT
44	5 1/2"	1/4 FM	RING	16 AWG	L RELAY TO L HEAT ELEMENT
45	3"	1/4 FM	RING	16 AWG	L RELAY TO L HEAT ELEMENT

**PARTS LIST**

TIMER	E-448-1027
RELAY	E-448-1007
FAN	E-448-1024
LIGHT	E-448-1020
THERMO CTRL	E-448-1006

