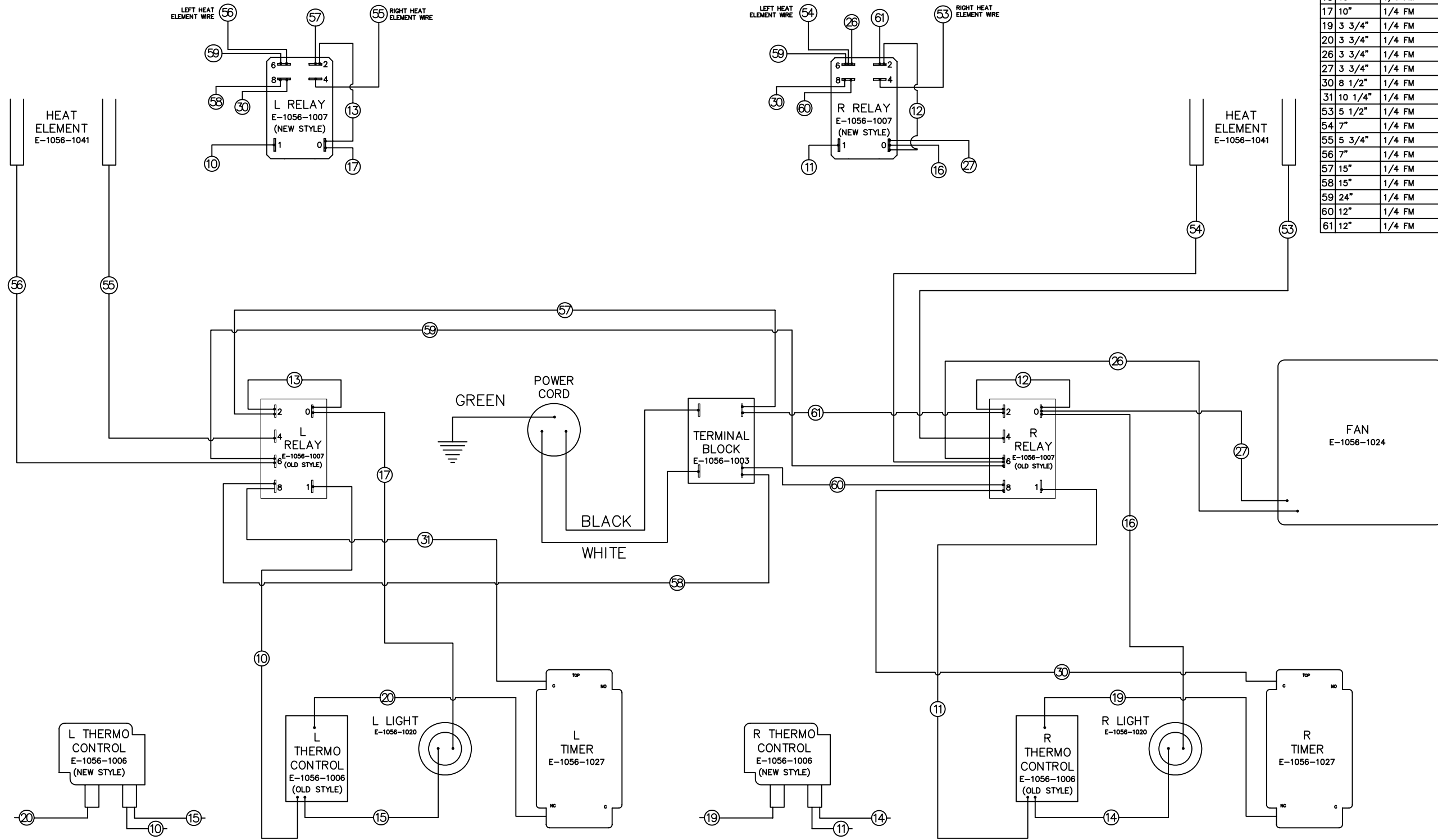



1056 48" DUAL WIRING DIAGRAM



#	LENGTH	END A	END B	WIRE SIZE	LOCATION
10	11 1/2"	1/4 FM	1/4 FM	16 AWG	L RELAY TO L THERMO
11	11 1/2"	1/4 FM	1/4 FM	16 AWG	R RELAY TO R THERMO
12	2 5/8"	1/4 FM	1/4 FM	16 AWG	R RELAY JUMPER
13	2 5/8"	1/4 FM	1/4 FM	16 AWG	L RELAY JUMPER
14	2 3/8"	1/4 FM	3/16 FM	16 AWG	R THERMO TO L LIGHT
15	2 3/8"	1/4 FM	3/16 FM	16 AWG	L THERMO TO L LIGHT
16	10"	1/4 FM	3/16 FM	16 AWG	R LIGHT TO R RELAY
17	10"	1/4 FM	3/16 FM	16 AWG	L LIGHT TO L RELAY
19	3 3/4"	1/4 FM	STRIP	16 AWG	R THERMO TO R TIMER
20	3 3/4"	1/4 FM	STRIP	16 AWG	L THERMO TO L TIMER
26	3 3/4"	1/4 FM	1/8 FM	16 AWG	R RELAY TO FAN
27	3 3/4"	1/4 FM	1/8 FM	16 AWG	R RELAY TO FAN
30	8 1/2"	1/4 FM	STRIP	16 AWG	R TIMER TO R RELAY
31	10 1/4"	1/4 FM	STRIP	16 AWG	L TIMER TO L RELAY
53	5 1/2"	1/4 FM	RING	16 AWG	R RELAY TO R HEAT ELEMENT
54	7"	1/4 FM	RING	16 AWG	R RELAY TO R HEAT ELEMENT
55	5 3/4"	1/4 FM	RING	16 AWG	L RELAY TO L HEAT ELEMENT
56	7"	1/4 FM	RING	16 AWG	L RELAY TO L HEAT ELEMENT
57	15"	1/4 FM	RING	16 AWG	L RELAY TO T-BLOCK
58	15"	1/4 FM	RING	16 AWG	L RELAY TO T-BLOCK
59	24"	1/4 FM	1/4 FM	16 AWG	L RELAY TO R RELAY
60	12"	1/4 FM	RING	16 AWG	R RELAY TO T-BLOCK
61	12"	1/4 FM	RING	16 AWG	R RELAY TO T-BLOCK

PARTS LIST	
TIMER	E-1056-1027
RELAY	E-1056-1007
FAN	E-1056-1024
LIGHT	E-1056-1020
THERMO CTRL	E-1056-1006
HEAT ELEMENT	E-1056-1041
TERMINAL BCK	E-1056-1003

CUSTOMER ELECTRI-CHEF PROPRIETARY		 A Division of DTG, Inc.	
CUST. ORDER #			
SERIAL NO.		TITLE	
DTG ORDER #		WIRING DIAGRAM 48" DUAL TIMER	
BY	DATE	SCALE	DRAWING NUMBER
JWH	6/22/08		WD105648D
CHECKED			SHEET OF
			1 OF 1
APPROVED		NEXT ASS'Y.	REVISION#
		PREVIOUS DWG. NO.	0
		DRAWER 1	