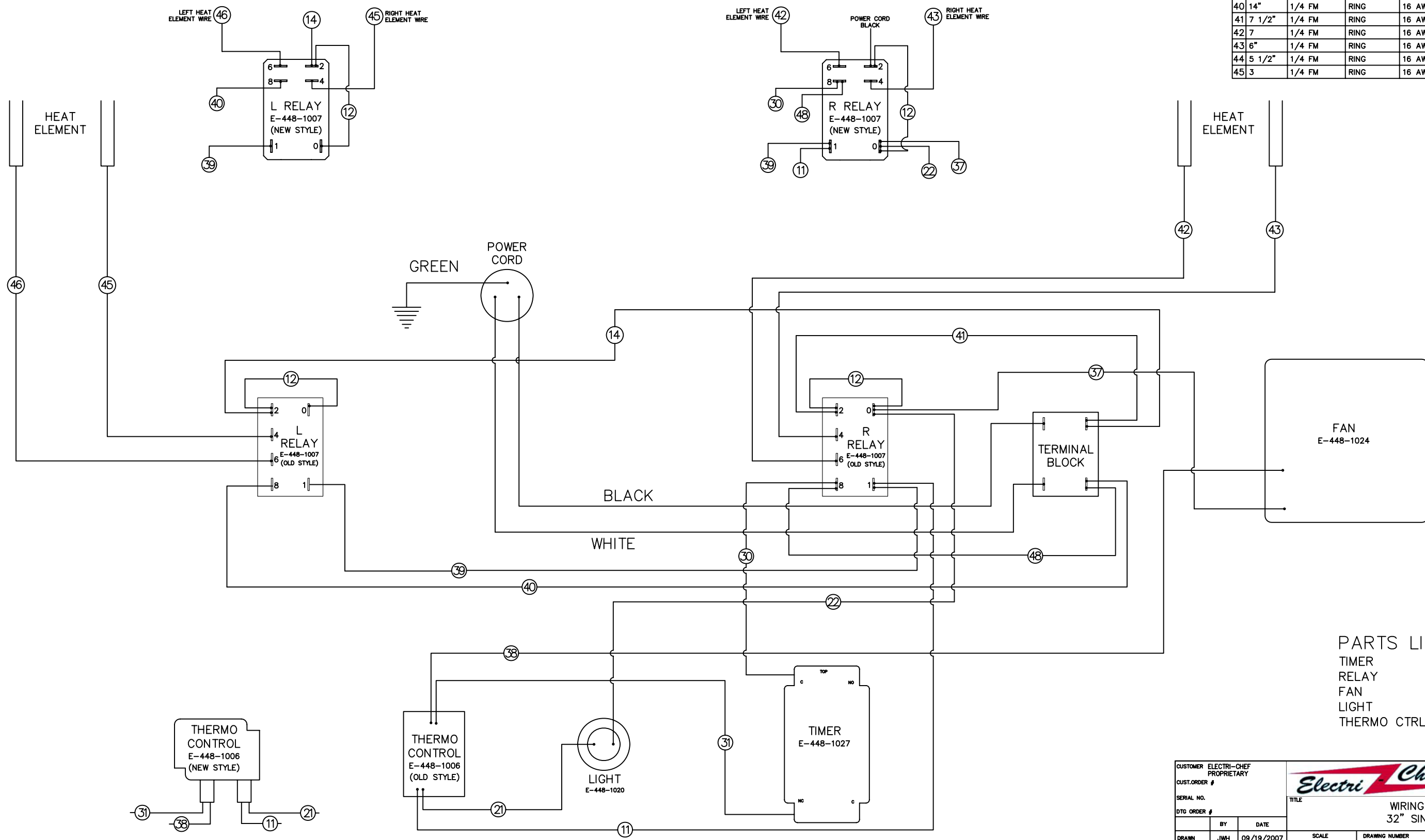


448 32" SINGLE WIRING DIAGRAM

#	LENGTH	END A	END B	WIRE SIZE	LOCATION
11	11 1/2"	1/4 FL	1/4 FL	16 AWG	R RELAY TO THERMO CTRL
12	2 5/8"	1/4 FM	1/4 FM	16 AWG	R & L RELAY JUMPER (2 REQ'D)
21	3"	1/4 FM	3/16 FM	16 AWG	THERMO TO LIGHT
22	10"	1/4 FM	1/4 FM	16 AWG	R RELAY TO LIGHT
30	8 1/2"	1/4 FL	STRIP	16 AWG	R RELAY TO TIMER
31	10 1/4"	1/4 FL	STRIP	16 AWG	THERMO TO TIMER
37	8 1/2"	1/4 FM	1/4 FM	16 AWG	R RELAY TO FAN
38	15"	1/4 FM	1/4 FM	16 AWG	THERMO TO FAN
39	9"	1/4 FM	1/4 FM	16 AWG	R RELAY TO L RELAY
40	14"	1/4 FM	RING	16 AWG	TERMINAL BLOCK TO L RELAY
41	7 1/2"	1/4 FM	RING	16 AWG	TERMINAL BLOCK TO R RELAY
42	7	1/4 FM	RING	16 AWG	R HEAT ELEMENT TO R RELAY
43	6"	1/4 FM	RING	16 AWG	R HEAT ELEMENT TO R RELAY
44	5 1/2"	1/4 FM	RING	16 AWG	L HEAT ELEMENT TO L RELAY
45	3	1/4 FM	RING	16 AWG	L HEAT ELEMENT TO L RELAY



PARTS LIST

TIMER	E-448-1027
RELAY	E-448-1007
FAN	E-448-1024
LIGHT	E-448-1020
THERMO CTRL	E-448-1006

CUSTOMER ELECTRI-CHEF PROPRIETARY		A Division of DTG, Inc.	
SERIAL NO.		TITLE	
DTG ORDER #		WIRING DIAGRAM 32" SINGLE TIMER	
BY	DATE	SCALE	DRAWING NUMBER
JWH	09/19/2007		WD44832S
CHECKED		SHEET OF	REVISION#
		1 OF 1	0
APPROVED		NEXT ASS'Y.	PREVIOUS DWG. NO.
			DRAWER 1