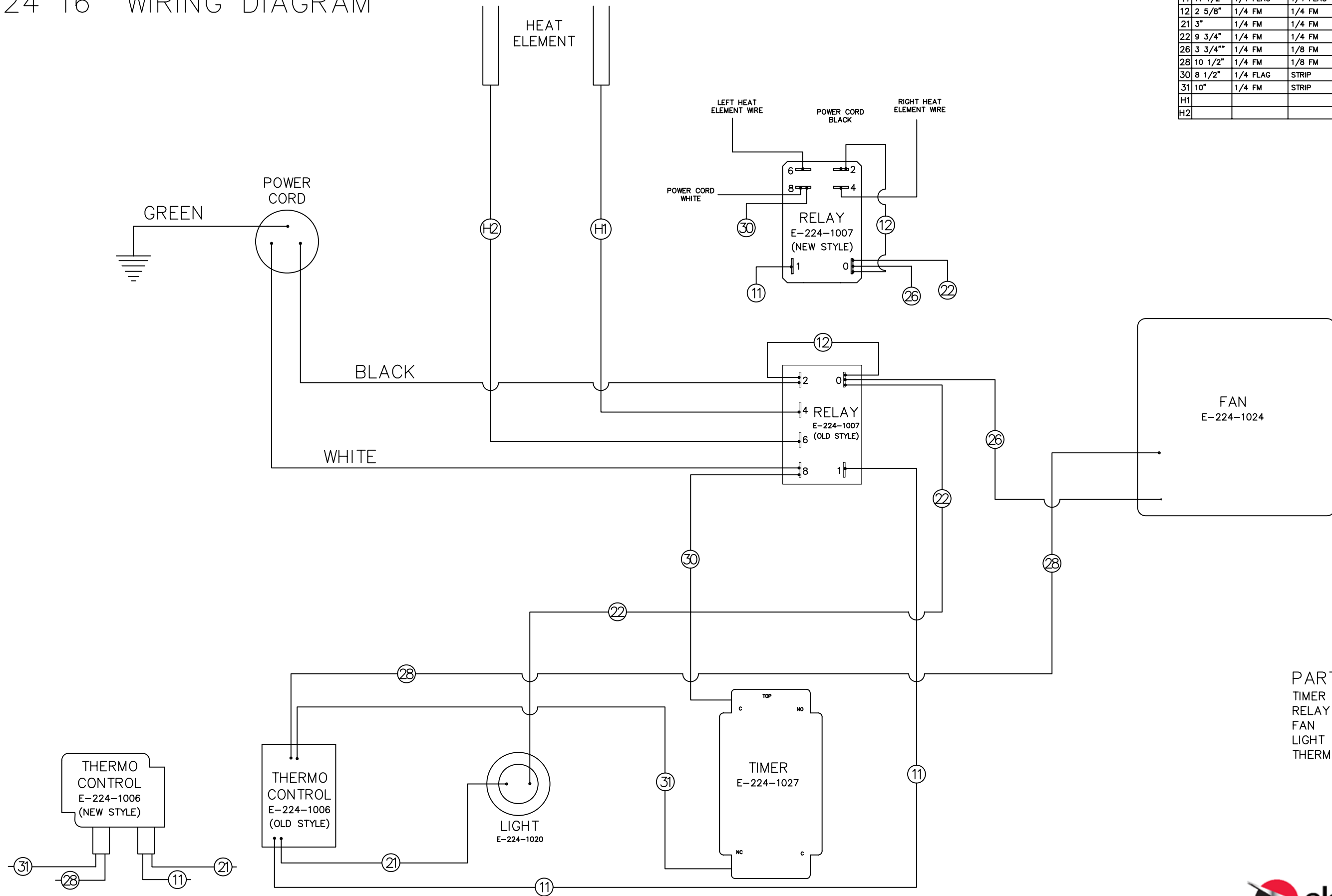


# 224 16" WIRING DIAGRAM

#	LENGTH	END A	END B	WIRE SIZE	LOCATION
11	11 1/2"	1/4 FLAG	1/4 FLAG	16 AWG	THERMO CTRL TO RELAY
12	2 5/8"	1/4 FM	1/4 FM	16 AWG	RELAY JUMPER
21	3"	1/4 FM	1/4 FM	16 AWG	LIGHT TO THERMO CTRL
22	9 3/4"	1/4 FM	1/4 FM	16 AWG	LIGHT TO RELAY
26	3 3/4"	1/4 FM	1/8 FM	16 AWG	FAN TO RELAY
28	10 1/2"	1/4 FM	1/8 FM	16 AWG	FAN TO THERMO CTRL
30	8 1/2"	1/4 FLAG	STRIP	16 AWG	TIMER TO RELAY
31	10"	1/4 FM	STRIP	16 AWG	THERMO CTRL TO TIMER
H1					HEAT ELEMENT TO RELAY
H2					HEAT ELEMENT TO RELAY



PARTS LIST

TIMER	E-224-1027
RELAY	E-224-1007
FAN	E-224-1024
LIGHT	E-224-1020
THERMO CTRL	E-224-1006

