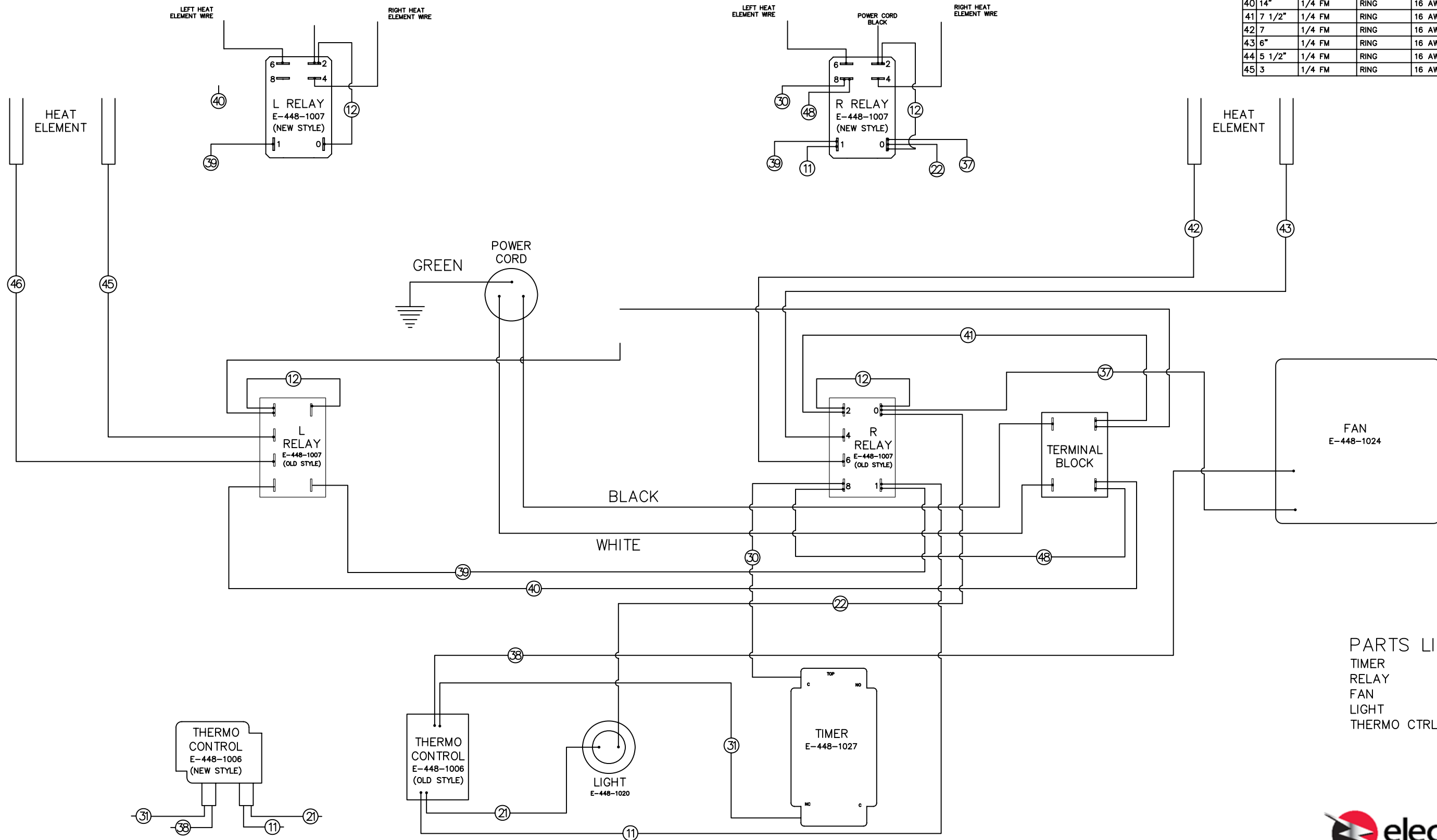


# 448 32" SINGLE WIRING DIAGRAM

#	LENGTH	END A	END B	WIRE SIZE	LOCATION
11	11 1/2"	1/4 FL	1/4 FL	16 AWG	R RELAY TO THERMO CTRL
12	2 5/8"	1/4 FM	1/4 FM	16 AWG	R & L RELAY JUMPER (2 REQ'D)
21	3"	1/4 FM	3/16 FM	16 AWG	THERMO TO LIGHT
22	10"	1/4 FM	1/4 FM	16 AWG	R RELAY TO LIGHT
30	8 1/2"	1/4 FL	STRIP	16 AWG	R RELAY TO TIMER
31	10 1/4"	1/4 FL	STRIP	16 AWG	THERMO TO TIMER
37	8 1/2"	1/4 FM	1/4 FM	16 AWG	R RELAY TO FAN
38	15"	1/4 FM	1/4 FM	16 AWG	THERMO TO FAN
39	9"	1/4 FM	1/4 FM	16 AWG	R RELAY TO L RELAY
40	14"	1/4 FM	RING	16 AWG	TERMINAL BLOCK TO L RELAY
41	7 1/2"	1/4 FM	RING	16 AWG	TERMINAL BLOCK TO R RELAY
42	7	1/4 FM	RING	16 AWG	R HEAT ELEMENT TO R RELAY
43	6"	1/4 FM	RING	16 AWG	R HEAT ELEMENT TO R RELAY
44	5 1/2"	1/4 FM	RING	16 AWG	L HEAT ELEMENT TO L RELAY
45	3	1/4 FM	RING	16 AWG	L HEAT ELEMENT TO L RELAY



- PARTS LIST**
- TIMER E-448-1027
  - RELAY E-448-1007
  - FAN E-448-1024
  - LIGHT E-448-1020
  - THERMO CTRL E-448-1006

